

PIPER AIRCRAFT  
PA-28-236 DAKOTA  
AIRPLANE PARTS CATALOG

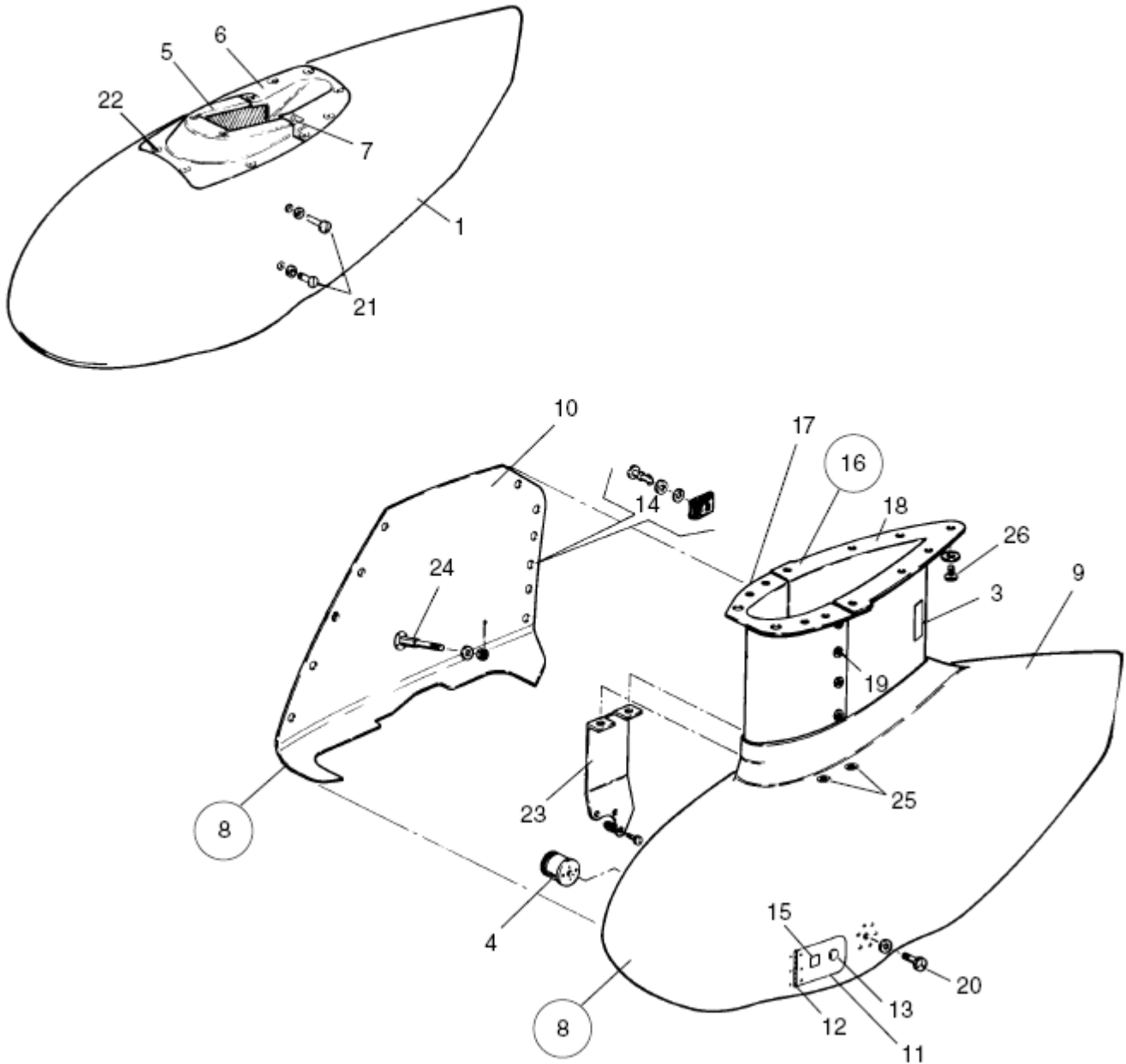


Figure 27. Main and Nose Wheel Fairing Installation

**PIPER AIRCRAFT  
PA-28-236 DAKOTA  
AIRPLANE PARTS CATALOG**

---

**CODE EXPLANATIONS FOR FIGURE 27**

- A - Ascertain if Main Landing Gear Fiberglass Wheel and Strut Fairing Replacement Kit 763 918 has been installed on serial numbers 28-7911001 thru 28-7911079 per Service Letter 862. (New fiberglass fairings are identified by camloc fasteners attaching inner and outer fairing halves together. Obsolete cycolac fairings are identified by screws, washers and nuts attaching inner and outer fairing halves together). If Kit 963 918 has been installed per Service Letter 862, order individual items listed for serial numbers 28-7911080 and up as desired. If Kit 763 918 has not been installed on serial numbers 28-7911001 thru 28-7911079, and individual items are desired for a particular wheel, one of the following Main Landing Gear Fiberglass Wheel and Strut Fairing Kits must be ordered as a replacement: 763 956 for left wheel or 763 957 for right wheel. After above listed Kit/Kits has been installed on aircraft, order individual fiberglass items listed for serial numbers 28-7911080 and up.
- B - Used with cycolac fairing assemblies only.
- C - Used with fiberglass fairing assemblies only.

# PIPER AIRCRAFT PA-28-236 DAKOTA AIRPLANE PARTS CATALOG

Figure and Index Number	Part Number	Code	Nomenclature	No. Req.	Serial Numbers Affected
27-	37896 79893		DRAWING - Nose Wheel Fairing Installation DRAWING - Main Wheel Fairing Installation (Fiberglass)		
-1	35944-02		FAIRING ASSEMBLY - Nose wheel (fiberglass)	1	
-2	-----		DELETED		
-3	35669-23		PLACARD - Gear	1	
-4	66821-04	B	SUPPORT ASSEMBLY - Wheel fairing, main (1.44 long)	1	
	66821-05	C	SUPPORT ASSEMBLY - Wheel fairing, main (1.62 long)	1	
-5	37926-03		COVER - Nose wheel fairing, forward	1	
-6	35946-02		COVER - Nose wheel fairing, aft	1	
-7	486 218		SCREW - (PS10015-F8-16BL)	2	
	494 037		WASHER - (PS10092-1-3C)	2	
	477 640		NUT - (PS10062-5-3)	2	
-8	79890-900	A	FAIRING ASSEMBLY - Main wheel, left, complete (fiberglass)	1	28-7911080 and up
	79890-901	A	FAIRING ASSEMBLY - Main wheel, right, complete (fiberglass)	1	28-7911080 and up
-9	79890-43	A	* SHELL ASSEMBLY - Main, outboard, left (fiberglass)	1	28-7911080 and up
	79890-44	A	* SHELL ASSEMBLY - Main, outboard, right (fiberglass)	1	28-7911080 and up
-10	79890-45	A	* ACCESS ASSEMBLY - Main, inboard, left (fiberglass)	1	28-7911080 and up
	79890-46	A	* ACCESS ASSEMBLY - Main, inboard, right (fiberglass)	1	
-11	37882-02		* DOOR ASSEMBLY - Wheel fairing	1	
-12	37882-04		* * HINGE ASSEMBLY - Door	1	
-13	472 017		* * LATCH - Door (KM610-32)	1	
-14	414 793	B	* SCREW - (MS24693-S50)	26	
	494 101	B	* WASHER - (PS10092-1-2C)	26	
	477 640	B	* NUT - (PS10062-5-3)	26	
	587 594	C	* STUD - (PS10077-1-9)	15	
	594 003	C	* SEAL - Washer (85-43-201-38)	15	
	584 140	C	* RETAINER - (PS10077-1-66)	15	
	484 198	C	* RECEPTACLE - (PS10077-1-63)	15	
-15	35669-44	B	* PLACARD - Tire pressure	1	
-16	79892-02	A	FAIRING ASSEMBLY - Main gear, strut, L, comp. (fiberglass)	1	28-7911080 and up
	79892-03	A	FAIRING ASSEMBLY - Main gear, strut, R, comp. (fiberglass)	1	28-7911080 and up
-17	79892-04	A	* FAIRING ASSEMBLY - Main gear, strut, fwd, left (fiberglass)	1	28-7911080 and up
	79892-05	A	* FAIRING ASSEMBLY - Main gear, strut, fwd, right (fiberglass)	1	28-7911080 and up
-18	79892-10	A	* FAIRING ASSEMBLY - Main gear, strut, aft left (fiberglass)	1	28-7911080 and up
	79892-09	A	* FAIRING ASSEMBLY - Main gear, strut, aft, right (fiberglass)	1	28-7911080 and up
-19	486 218	B	* SCREW - (PS10015-F8-16BL)	8	
	494 037	B	* WASHER - (PS10092-1-3C)	8	
	477 816	B	* NUT - (PS10062-5-9)	8	
	587 593	C	* STUD - (PS10077-1-8)	8	
	594 003	C	* SEAL - Washer (85-43-201-38)	8	
	584 140	C	* RETAINER - (PS10077-1-66)	8	
	484 198	C	* RECEPTACLE - (PS10077-1-63)	8	
-20	400 004		BOLT - (AN4-7A)	1	
	690 611		WASHER - (NAS1149F0463P)	1	
-21	401 312		BOLT - (AN4-12A)	4	
	690 611		WASHER - (NAS1149F0463P)	8	
-22	414 762		SCREW - (MS24693-S51)	10	
	494 101		WASHER - (PS10092-1-2C)	10	
-23	37880-02		BRACKET ASSEMBLY - Wheel fairing, left	1	
	37880-03		BRACKET ASSEMBLY - Wheel fairing, right	1	
-24	37881-02	B	BOLT - Main wheel fairing attachment (3.96 long)	2	
	37881-03	C	BOLT - Main wheel fairing attachment (4.22 long)	2	
	407 565		WASHER - (AN960-416)	AR	
	404 530		NUT - (MS21042-4)	2	
-25	416 633		SCREW - (MS24693-S273)	2	
	494 037		WASHER - (PS10092-1-3C)	2	
-26	414 762		SCREW - (MS24693-S51)	13	
	494 101		WASHER - (PS10092-1-2C)	13	

When ordering, always specify Part Number, Description, and Serial Number of Aircraft